

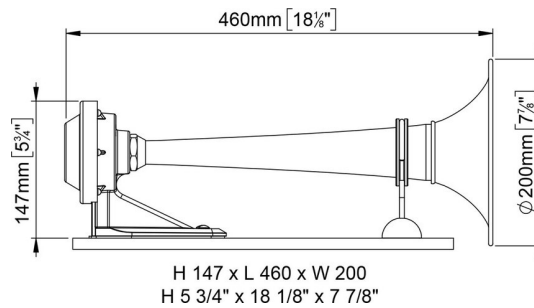


## PW2 whistle 12/20 m, $\phi$ 200 mm with compressor

### Quick Overview

Approved signalling whistle complete with chromed or white horn  $\phi$ 200 mm, electric compressor and mounting accessories. Meets COLREG 1972 IMO class IV regulations. Approvals: RINA, LLOYD'S REGISTER MCA, BUREAU VERITAS, BSH and NMMA.

Part n.	Name	Voltage (V)	Consumption (A)	Hz	dB (1/3 oct) (1m)	Hose (ID) (mm)	Dimensions (mm)
15000012	PW2	12	25	315	>120	8 / 6	$\phi$ 200x460x147
15000013	PW2	24	20	315	>120	8 / 6	$\phi$ 200x460x147



**RT6/4 Nylon tubing  $\varnothing$ 6/4 or  $\varnothing$ 8/6**