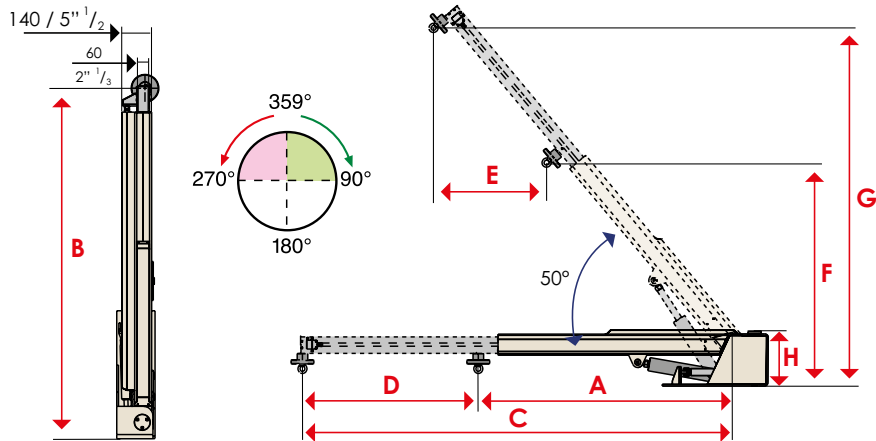


TRANSOM CRANE 3042



model	A (mm/ inch)	B (mm/ inch)	C (mm/ inch)	D (mm/ inch)	E (mm/ inch)	F (mm/ inch)	G (mm/ inch)	H (mm/ inch)	L (mm/ inch)	Cable length (mm/inch)	capacity optional (kg/lbs)	weight (kg/lbs)
3042/23	1485 58"	1560 61"	2185 86"	700 28"	450 18"	1160 46"	1700 67"	310 12"	1050 41"	-	200/450	98/215
3042/26	1585 62"	1650 65"	2585 102"	1000 39"	645 25"	1275 50"	2040 80"	320 13"	1115 44"	-	200/450	129/285
3042/26	1585 62"	1660 65"	2585 102"	1000 39"	645 25"	1235 49"	2000 79"	310 12"	1115 44"	1900 75"	200/450	134/300

The drawing shows the version with hydraulic hoist.
With hydraulic hoist and standard automatic rotation 90°.



* All pictures in the catalogue are for example purpose only.