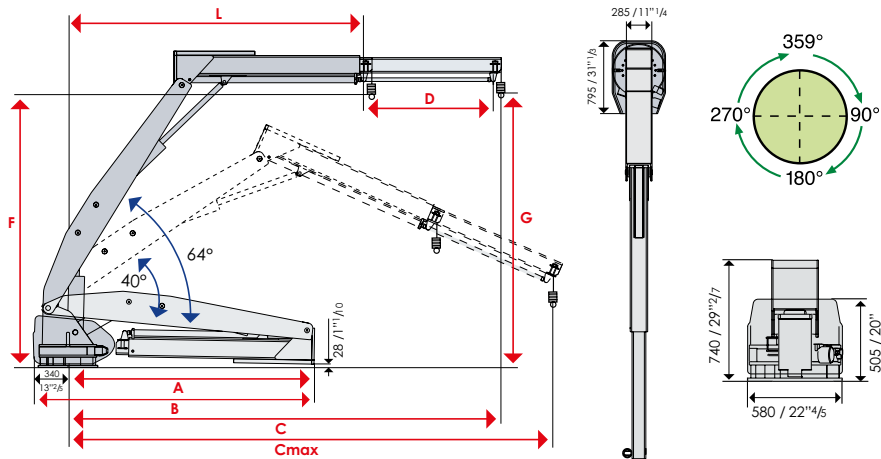


ELBOW CRANE 3077



model	A (mm/ inch)	B (mm/ inch)	C (mm/ inch)	C max (mm/inch)	D (mm/ inch)	F (mm/ inch)	G (mm/ inch)	L (mm/ inch)	Cable length (mm inch)	capacity standard (kg/lbs)	weight (kg/lbs)
3077/42	2400 95"	2740 108"	4225 166"	4710 185"	1260 50"	2600 102"	2600 102"	2970 117"	5400 213" 6800 268"	1000/2200 800/1800	950/2100

THIS CRANE CAN BE certified for rescue boats and can be produced in compliance with S.O.L.A.S. requirements, upon request.
 ATTENTION! In case of certification request, dimensions and technical specifications may undergo significant variations.
 Please contact our Technical Department for information about the available certifications for the different crane models.
 Standard rotation 359°



* All pictures in the catalogue are for example purpose only.