



model	N° steps	A (mm/ inch)	B (mm/ inch)	C (mm/ inch)	D (mm/ inch)	E (mm/ inch)	F (mm/ inch)	G (mm/ inch)	H (mm/ inch)	X (mm/ inch)	Y (mm/ inch)	dynamic load (kg/lbs)	static load (kg/lbs)	weight (kg/lbs)
3381/40.0	4	2915 / 115"	1195 / 47"	850 / 33"	980 / 39"	1085 / 43"	1165 / 46"	1805 / 71"	230 / 9"	690 / 27"	920 / 36"	300/650	400/882	520/1150
TRANSFORMER WITH POP-OUT SYSTEM														
3381/40.1	4	2915 / 115"	1195 / 47"	850 / 33"	980 / 39"	1085 / 43"	1165 / 46"	1805 / 71"	400 / 15"3/4	690 / 27"	920 / 36"	300/650	400/882	770/1700

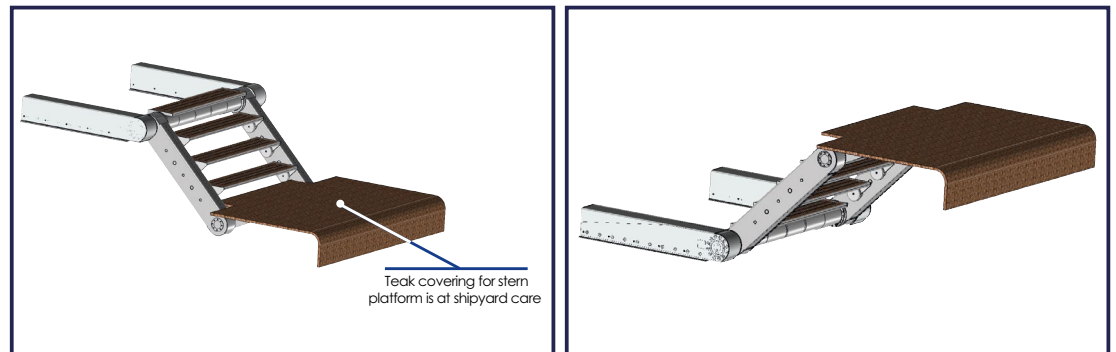
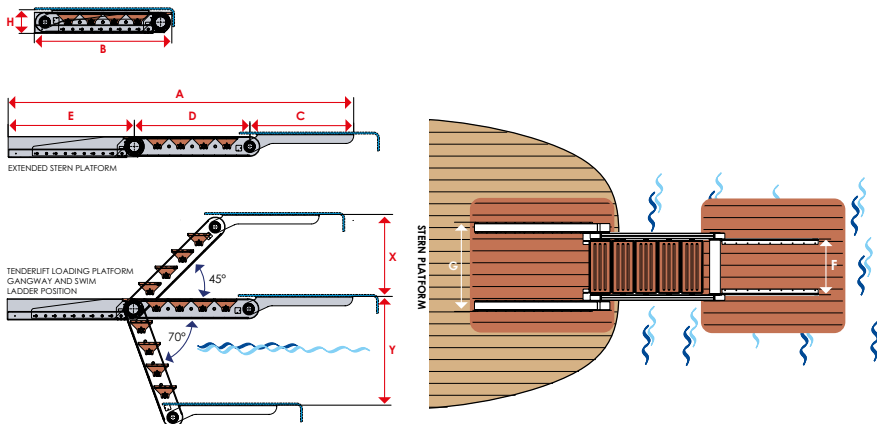
FOR POP-OUT DIMENSIONS SEE PAGE MODEL 3370/3762

### MULTIFUNCTIONAL PLATFORM.

The loading capacity includes the total platform weight (at shipyard's care), the full loaded tender or the jet ski.

The declared lifting capacity is assured if the load is positioned in the middle of measure C.

NEVER USE THE TRANSFORMER AS A SPRINGBOARD. DIVING MAY CAUSE STRONG STRAINS THAT MIGHT DAMAGE THE TRANSFORMER AND ITS FASTENING ELEMENTS.



\* All pictures in the catalogue are for example purpose only.