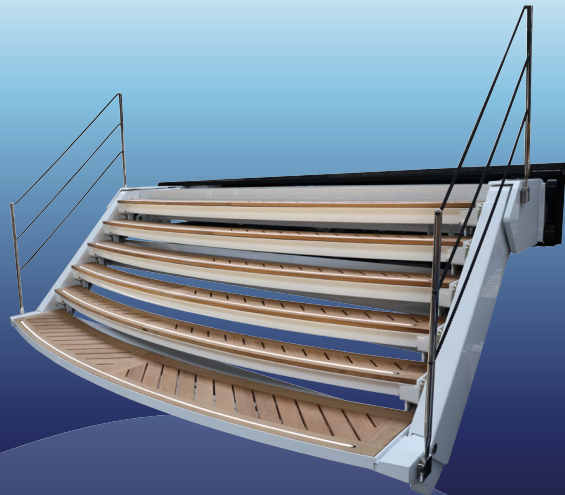


# KING STEPLADDER 3621



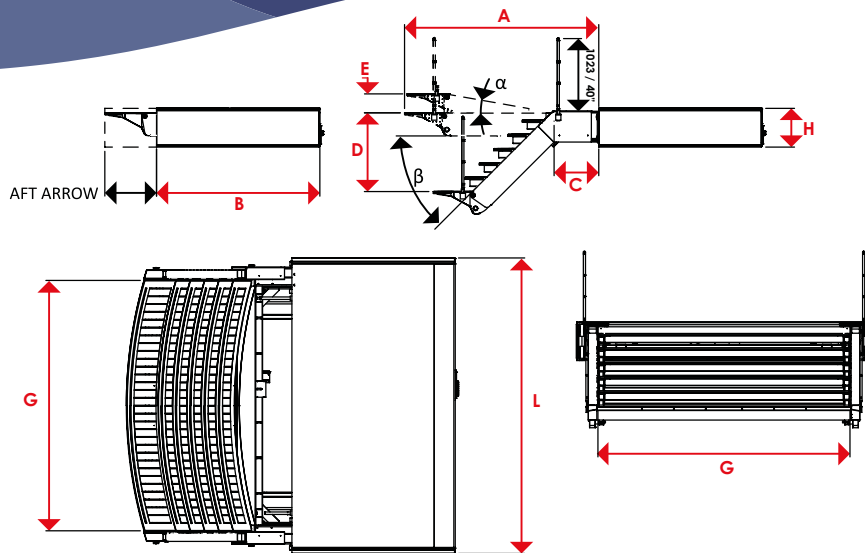
model	A (mm/ inch)	B (mm/ inch)	C (mm/ inch)	D (mm/ inch)	E (mm/ inch)	H (mm/ inch)	L (mm/ inch)	G (mm/ inch)	$\alpha$	$\beta$	n° steps	Weight (Kg/lbs)
3621/19	2735 107" 3/5	2300 90" 1/2	630 24" 4/5	1110 43" 3/4	270 10" 3/5	545 21" 1/2	4160 163" 3/4	3525 138" 3/4	10°	45°	5	3500/7716

Electronically controlled hydraulic extending gangway/aft ladder capable of inclining 10° upwards and 45° downwards

Structured in AISI 316 stainless steel and varnished as per request, the gratings, including two landings and auto-aligning steps are in teak. The housing is in anodized aluminium and the stanchion are rigid and manual.

Designed for passenger boarding only up to a maximum of 660 lbs.

**NEVER USE THE GANGWAY AS SPRINGBOARD. DIVING COULD CAUSE STRONG STRAINS THAT MIGHT DAMAGE THE GANGWAY AND ITS FASTENING ELEMENTS.**



\* All pictures in the catalogue are for example purpose only.