

EVO STEP 5290 OPERATED BY HYDRAULIC ACTUATOR

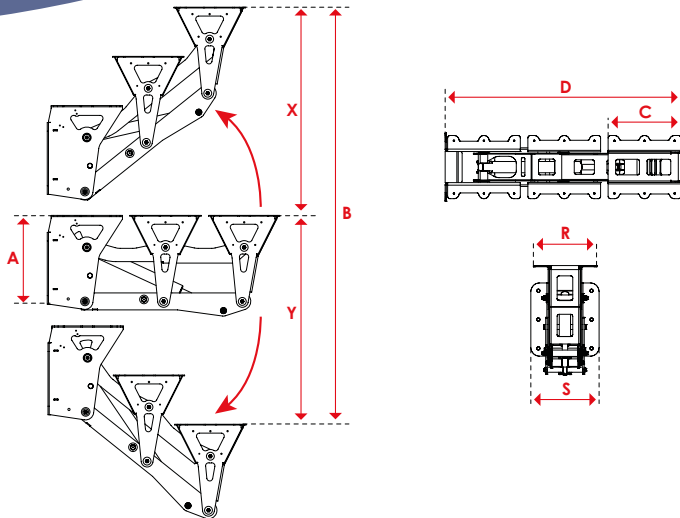


model	A (mm/ inch)	B (mm/ inch)	C (mm/ inch)	D (mm/ inch)	R (mm/ inch)	S (mm/ inch)	X (mm/ inch)	Y (mm/ inch)	static load (kg/lbs)
5290/12	362 14" 1/4	1200 47" 1/4	290 11" 2/5	1260 49" 3/5	252 10"	272 10" 7/10	600 23" 3/5	600 23" 3/5	120/264
5290/80	362 14" 1/4	800 31" 1/2	290 11" 2/5	940 37"	252 10"	272 10" 7/10	400 15" 3/4	400 15" 3/4	120/264

A mechanical system that can be easily applied to all boat types, both as refit and first installation, has been invented for the first time in the world.

The mechanism enables you to gain easy access to water from your rubber dinghy or from your small boat by means of a wide and comfortable stair, replacing the old stepladders available until now on the market.

Customizations can be made according to your boat design



*OPTIONAL STANCHIONS

