

Heavy-Duty Single Pole Thermal Type Breakers





- Ratings:** 30–150A; 30V DC, 3000A interrupt capacity
- Operating Temperature:** -25°F (-32°C) to 180°F (82°C)
- Storage Temperature:** -30°F (-34°C) to 300°F (149°C)
- Applications:** Auxiliary and accessory circuits – trucks, buses, RVs and marine applications, battery chargers and DC audio systems. Series 184 & 185 are sealed for engine compartment and bilge area applications.
- Housing:** Thermoset plastic; UL rated 94VO; 311°F (155°C). Stud insulators are provided on covered units with F (Surface Mount) bases; tin plated copper studs, brass rivets and stainless steel locking nuts.
- Mounting:** Panel or surface
- Terminal Stud Torque:** 50 in-lb (5.6Nm) max.
- Indicator:** Series 184 & 185 have a unique reset mechanism providing visible indication of tripped condition
- Ingress Protection Rating:** IP67
- Approvals:** Complies with SAEJ1625, J1171 and UL1500 (Ignition protected) specifications.

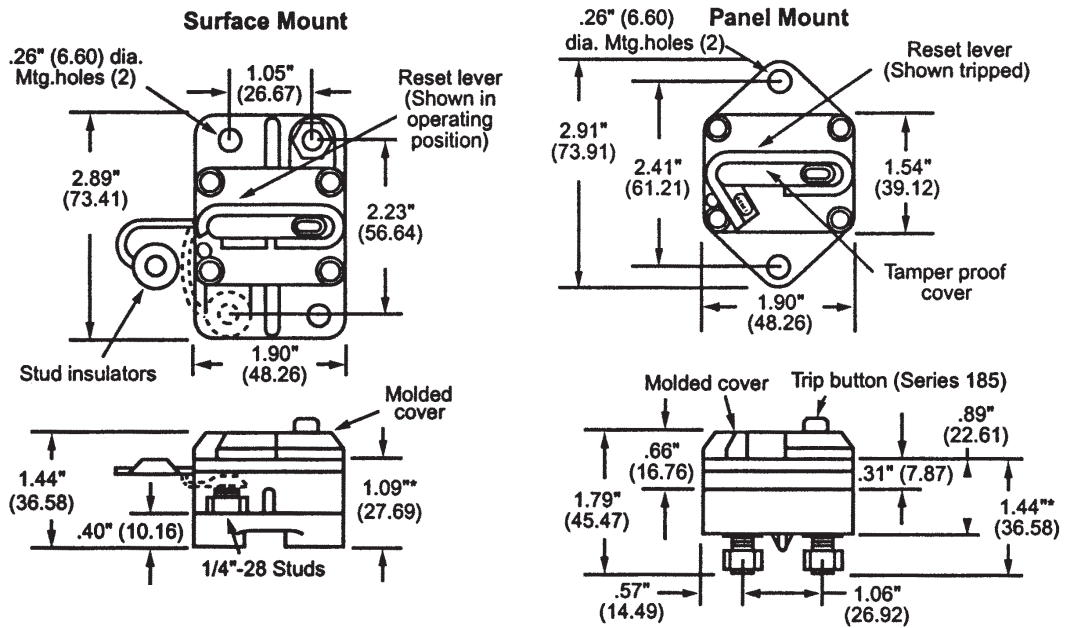
## Switchable Reset

Item #	Rating (A)	Mount
185030F-01-1	30A	Surface Mount
185040F-01-1	40A	Surface Mount
185050F-01-1	50A	Surface Mount
185060F-01-1	60A	Surface Mount
185070F-01-1	70A	Surface Mount
185080F-01-1	80A	Surface Mount
185090F-01-1	90A	Surface Mount
185100F-01-1	100A	Surface Mount
185120F-01-1	120A	Surface Mount
185135F-01-1	135A	Surface Mount
185150F-01-1	150A	Surface Mount
185030P-01-1	30A	Panel Mount
185040P-01-1	40A	Panel Mount
185050P-01-1	50A	Panel Mount
185060P-01-1	60A	Panel Mount
185070P-01-1	70A	Panel Mount
185080P-01-1	80A	Panel Mount
185090P-01-1	90A	Panel Mount
185100P-01-1	100A	Panel Mount
185120P-01-1	120A	Panel Mount
185135P-01-1	135A	Panel Mount
185150P-01-1	150A	Panel Mount

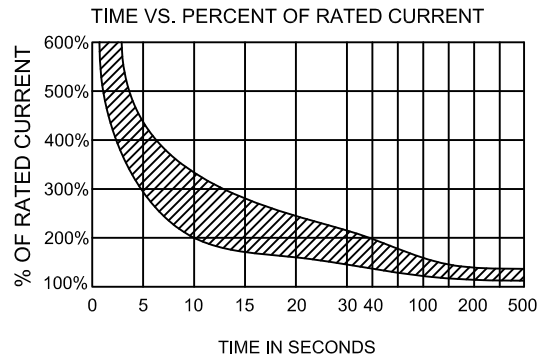
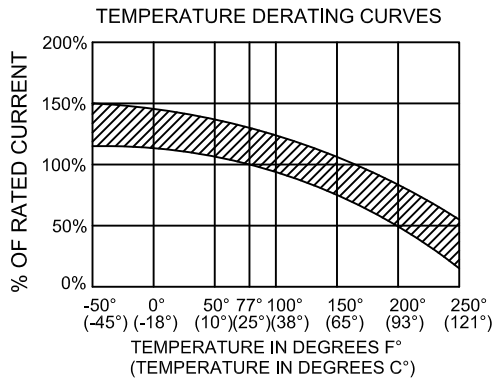
## Manual Reset

Item #	Rating (A)	Mount
184030F-01-1	30A	Surface Mount
184040F-01-1	40A	Surface Mount
184050F-01-1	50A	Surface Mount
184060F-01-1	60A	Surface Mount
184070F-01-1	70A	Surface Mount
184080F-01-1	80A	Surface Mount
184090F-01-1	90A	Surface Mount
184100F-01-1	100A	Surface Mount
184120F-01-1	120A	Surface Mount
184135F-01-1	135A	Surface Mount
184150F-01-1	150A	Surface Mount
184030P-01-1	30A	Panel Mount
184040P-01-1	40A	Panel Mount
184050P-01-1	50A	Panel Mount
184060P-01-1	60A	Panel Mount
184070P-01-1	70A	Panel Mount
184080P-01-1	80A	Panel Mount
184090P-01-1	90A	Panel Mount
184100P-01-1	100A	Panel Mount
184120P-01-1	120A	Panel Mount
184135P-01-1	135A	Panel Mount
184150P-01-1	150A	Panel Mount

## Dimensions (mm)



## Temperature and Current Rating





**Marinco**  
N85 W12545 Westbrook Crossing  
Menomonee Falls, WI 53051  
800.307.6702  
800.799.3779 fax

[marinco.com](http://marinco.com)