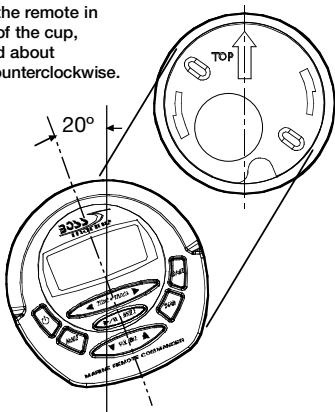


## Remote control installation, continued

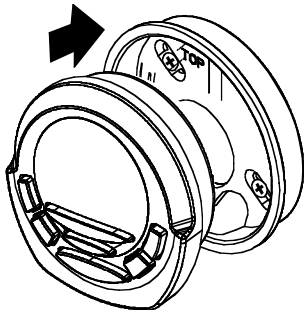
3. Hold the remote in front of the cup with the top up, and as you hold it, rotate it about 20° counterclockwise.

Hold the remote in front of the cup, turned about 20° counterclockwise.



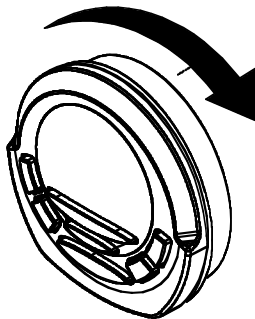
4. Insert the remote control fully into the cup so that the mounting hooks go through the slots in the back of the cup.

If your installation is one in which the cable is exiting out the bottom of the housing (NOT the back), as you insert the remote module pull the cable down gently so it does not interfere with the insertion of the remote into the cup.

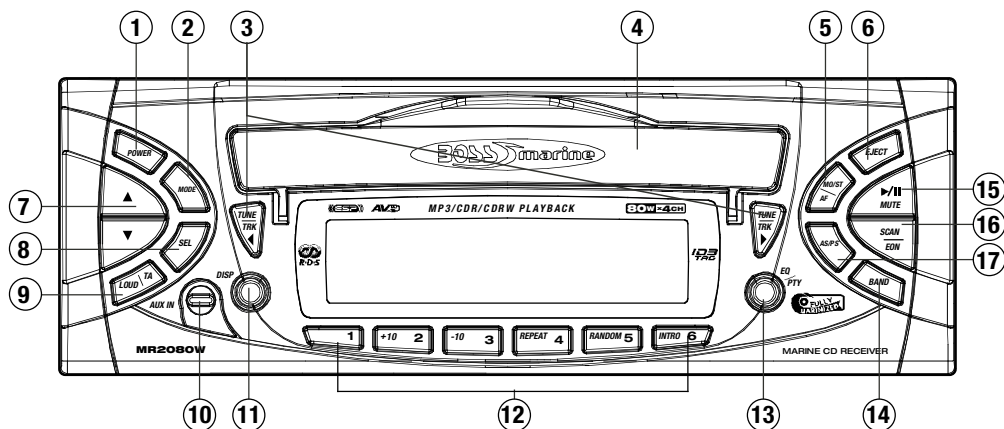


*If you feel resistance when you insert the remote into the cup, pull the remote housing out and check that the cable has been pressed into the curved slot, as described in Step 2).*

5. Grasp and turn the remote to the right until it is in the correct position.



## General and Tuner Controls



### 1 POWER

Press this button to turn unit on. Press POWER again to turn it off.

### 2 MODE (Input Select)

Press this button repeatedly to cycle through the audio input sources in the following order:

RADIO > CD > AUX IN > AUX1 (front panel aux input)

To clear all stored memories, press and hold this button for several seconds.

### 3 TUNE/TRACK BUTTONS

**In Radio mode**, press these buttons briefly to step up or down the radio dial in single step increments. Press and hold for more than one-half second and the tuner will enter the SEEK mode. In this mode the tuner will stop at the next strong station available.

**In CD mode**, pressing these buttons briefly will advance the player to the next (or previous) track. Press and hold and the player will enter SEARCH mode.

### 4 DISC DOOR

This door features a waterproof seal to prevent water from entering the unit. To open it, press down on the latch to release it. The door can then drop down. To eject a disc, you must first open the door. It is recommended that you keep it closed except when changing or removing discs.

### 5 MO/ST, AF (Alternate Frequency)

If you are dissatisfied with the quality of the reception in stereo, switching to mono often improves the overall sound quality. To do this, press this button briefly.

Press and hold this button to turn on the RDS AF function, which compares the signal strength of the current station with others on the same network and changes to improve reception. See page 16 for more information.

### 6 EJECT

To eject a disc, you must first open the door. Then press this button and the disc mechanism will move the disc out to where you can grab it and remove it safely.

### 7 VOLUME UP/DOWN BUTTONS

In normal operation, these buttons are used to increase or decrease the volume level.

Used in combination with the SELECT button, these buttons are used to increase or decrease the settings of various audio parameters.

## 8 SELECT

The SELECT button is used to access a wide range of settings for the receiver.

### AUDIO SETTINGS

To change settings in the audio section, press SELECT briefly, repeatedly, to step thru the following audio parameters:

VOLUME > BASS > TREBLE > BALANCE > FADER

Use the UP/DOWN buttons to change the settings as desired. If you have made a change to a setting, press SELECT to enter it and move to next parameter. When you are finished making settings, after about 5 seconds the unit will return to normal mode.

*Please note: If you have selected a preset EQ curve, the settings for BASS and TREBLE will not be available in the Audio Settings section.*

### SYSTEM SETTINGS

#### General Settings

To access system setup items, press and hold SELECT for more than two seconds.

The LCD will display "MENU" and then will display the first adjustable item, which is "CLOCK."

Press SELECT briefly to step thru the available settings. Use the UP/DOWN buttons to make any changes. The following list shows the sequence of items in the menu, and the choices possible. **The factory default is indicated in bold type.**

- *Clock 12HR/24HR:* 12HR or 24HR In areas with US frequencies **12 HR**, in areas with European frequencies, **24HR**.

- *CT (Clock time):* If the frequency area switches from American to European, the clock will display 24:00. Similarly if the area switches from European to American, the clock will display 12:00. Use the UP/DOWN buttons to adjust the minutes or hours.

- *Subwoofer channel:* **ON/OFF**

- *LOC/DX radio reception:* **LOC/DX**

- *Area:* Factory set to **the country in which the radio is sold**. Europe > Latin > OIRT > AUST > ASIA > USA

- *V-PGM (maximum volume level):* **0-12**

- *Beep (when you press a button):* **ON/OFF**

- *Clock On (determines if clock will be displayed when radio is turned off):* **ON/OFF**

- *LCD1/2 (LCD brightness level):* **1/2**

### RDS Radio Settings

- **SEEK RDS/ALL**

This setting determines the behavior of the radio SEEK function when RDS tuning mode. If ALL is selected, the SEEK function will stop at both RDS and non-RDS stations. Otherwise, it will only seek RDS stations. **RDS/ALL**

- *TA (Traffic Alert) SEEK/ALARM*

When TA mode is on, the radio monitors the Public Information channel which is piggy-backed on the FM channel you are currently enjoying. If such a channel is not detected or is weak the tuner will SEEK another PI channel and monitor it. (This is the TA SEEK setting).

If ALARM setting is chosen, if a signal is insufficiently strong, instead of monitoring an alternate station for PI information, the radio will produce a double beep (alarm) and silence itself, and display "LOST TP TA." **TA SEEK/ALARM**

- *TA VOLUME*

This setting determines the volume level of the Traffic Alerts as they play. 0-40 (**18 is default**)

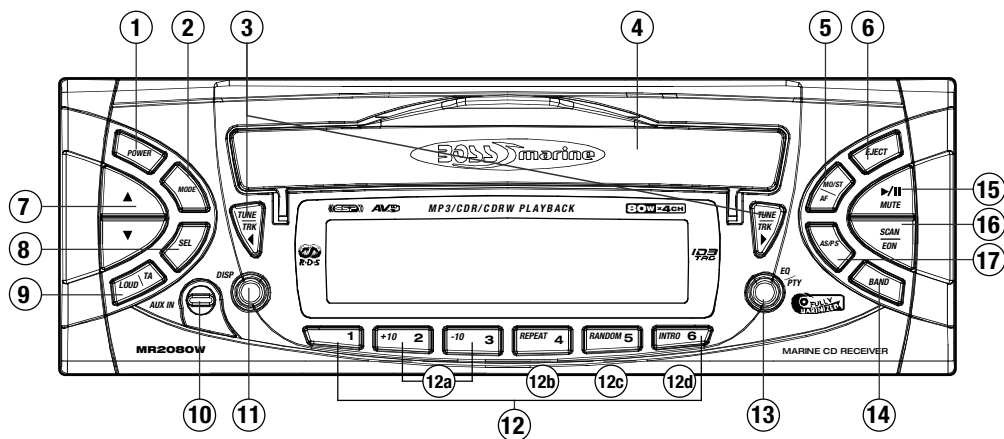
- *REG ON/OFF*

This setting determines the behavior of the radio reception when AF (Alternate Frequency) mode is on. The AF system continuously monitors the signal strength of a station and compares it with other stations on the same network. If another station is stronger, it changes to that station.

Since sometimes in different regions stations on the same network will play different programs, the AF system can interrupt the current program. If REG ON is selected, the station will check if the programs are the same, and if not, the TA system will not change the station.

**REG OFF/ON**

## General and Tuner Controls, continued



- 9 LOUDNESS/TA**  
Press briefly increase the level of bass output. Press again to turn off the Loudness function.

Press a little longer to turn on the TA (Traffic Alert) mode. For more information about this mode, please see page 16 of this manual)

- 10 AUX IN JACK**  
This jack is a convenient way to play music from an MP3 music player such as an iPod through your marine stereo.

Simply connect the headphone output of the MP3 player to this input jack, and use the CD Receiver's MODE button to select AUX as input source and begin playing music on the MP3 player.

- 11 DISPLAY (Clock display and setting)**  
Press this button briefly to display the current time. To reset the time, press and hold this button until it begins flashing. Then you can use the UP/DOWN buttons to change the hour and minutes.

- 12 PRESETS 1-6 (Radio Mode)**  
These buttons are used to store the presets for radio stations. To set a preset, tune to the desired radio station. Then press and hold the preset to which you wish to assign that station for more than one second and release. To replace it with a different station, repeat the process and the new setting will override the previous one.

- 12a +10/-10 (next/previous 10 tracks)**  
These button are used during disc playback to skip ahead or back ten tracks.

- 12b REPEAT**  
*In CD Playback Mode*, when you press this button briefly, the player will keep repeating the same track until you press it again.

*In MP3/WMA Playback Mode*, when you press this button, the player will keep repeating the same track until you press it again. Press and hold this button to repeat all the tracks in the current folder.

- 12c RANDOM**  
*In CD Playback Mode*, pressing this button will cause the player to play all the songs on the current disc in random order.

*In MP3/WMA Playback Mode*, press and hold this button and the player will play all the songs in the current folder in random order.

In both modes, press RANDOM again to cancel the Random playback mode.

**12d INTRO SCAN**

The Intro Scan function is a convenient way to find a particular track.

**In CD Playback Mode**, press this button and the player will play the first few seconds of a song, and then skip to the next song and play a few seconds of that song. This process continues until you press the INTRO button again, and the player will continue playing that song.

**In MP3/WMA Playback Mode**, press and hold this button and the player will play the first few seconds of a song in the current folder, and then skip to the next song and play a few seconds of that song. This process continues until you press the INTRO button again, and the player will continue playing that song.

**13 EQ (Preset Equalizer Curves) PTY (RDS Program Type Tuning)**

Press briefly, repeatedly to cycle through five modes: POP > JAM > JAZZ > ROCK > CLASSICAL > FLAT > OFF.

Press and hold this button to turn on the PTY function and begin RDS tuning radio stations. For information on assigning using the PTY function, please see page 17 of this manual.

**14 BAND**

Press briefly, repeatedly to cycle between the radio bands:

FM1 > FM2 > FM3 > AM1 > AM2

**15 PLAY/PAUSE, MUTE**

**In CD mode**, discs will begin playback automatically upon insertion. To pause playback, press this button. Press again to resume playback.

**In Radio, AUX and AUX 1 modes**,

Press this button to silence the audio. Press again to restore the previous audio volume level.

**16 SCAN, EON ON/OFF**

**In Radio mode**, when you press this button briefly the tuner will scan up the band until it detects a strong station. Then it will stop, and the frequency of that station will be displayed in a flashing pattern for about 5 seconds. If you wish to hear this station, press SCAN again. If you do not push SCAN, the tuner will scan up to the next station and repeat the same pattern.

**To turn on EON mode of RDS System**, press and hold this button. When the EON function is turned on, "EON" will be displayed on the screen (for more information about the EON function see page 16).

**17 AS/PS (Automatic preset setup, preset scan function)**

When pressed and held for several seconds, the tuner will search and store the first six strong stations as presets in the current radio band.

Press this button briefly, repeatedly to step between and listen to the six presets of the current band.

## Remote Control

- 1 POWER**  
Use to turn CD Receiver ON or OFF.
- 2 MODE**  
Press to choose desired audio source:  
RADIO > CD > AUX IN > AUX 1 (front panel aux input)

- 3 BAND**  
Press briefly, repeatedly to cycle between the radio bands:

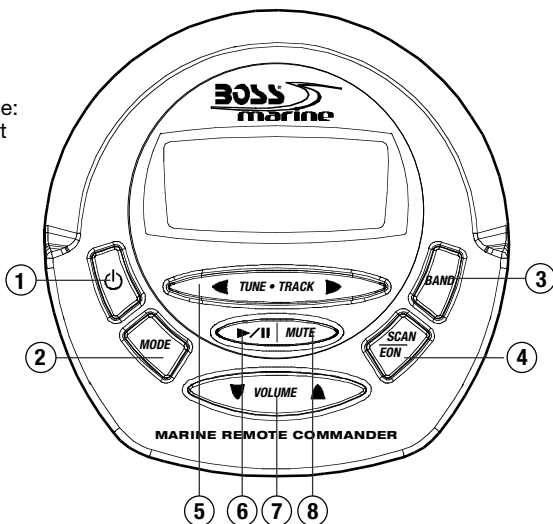
FM1 > FM2 > FM3 > AM1 > AM2

- 4 SCAN/EON ON/OFF**  
*In Radio Mode*, when you press this button briefly the tuner will scan up the band until it detects a strong station. Then it will stop, and the frequency of that station will be displayed in a flashing pattern for about 5 seconds. If you wish to hear this station, press SCAN again. If you do not push SCAN, the tuner will scan up to the next station and repeat the same pattern.

*To turn on EON mode of RDS System*, press and hold this button. When the EON function is turned on, "EON" will be displayed on the screen (for more information about the EON function see page 16).

- 5 TUNE/TRACK (◀ and ▶)**  
*In Radio Mode*, press and release to activate automatic seek function ("AUTO" will appear on display). Press and hold to engage manual tuning mode ("MANUL" will appear on display).

*In CD Mode*, press and release to advance to the next track or to return to the beginning of the current track (track number will be displayed). Press and hold to fast forward or reverse. Play will begin at the point when you release the button.



- 6 PLAY/PAUSE**  
Discs will begin playback automatically upon insertion. To pause playback, press this button. Press again to resume playback.
- 7 VOLUME** Use to increase or decrease volume level.
- 8 MUTE**  
*In Radio, AUX and AUX 1 modes*, Press this button to silence the audio. Press again to restore the previous audio volume level.

*Please note: MUTE is not available in CD Playback mode.*