

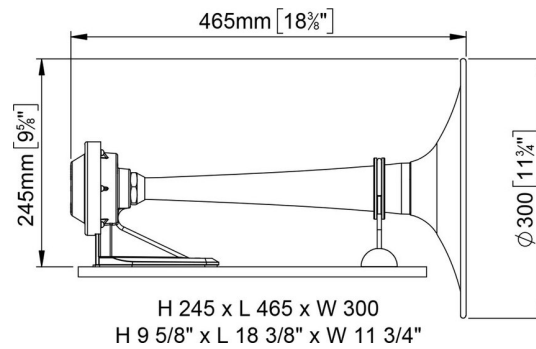


PW3 whistle 20/75 m, ϕ 300 mm + Electric valve

Quick Overview

Approved whistle complete with chromed or white horn ϕ 300 mm. Electric valve and mounting accessories, for compressed air operation 6/12 bar. Meets COLREG 1972 IMO class III regulations. Approvals: RINA, LLOYD'S REGISTER MCA, BUREAU VERITAS, BSH and NMMA.

Part n.	Name	Voltage (V)	Consumption (A)	Hz	dB (1/3 oct) (1m)	Hose (ID) (mm)	Dimensions (mm)
15200012	PW3	12	4,5	315	132	8 / 6	ϕ 300x465x245
15200013	PW3	24	2,5	315	132	8 / 6	ϕ 300x465x245



M3 Compressor AISI 304 8 l RT6/4 Nylon tubing \varnothing 6/4 or \varnothing 8/6