

↔ DOMETIC

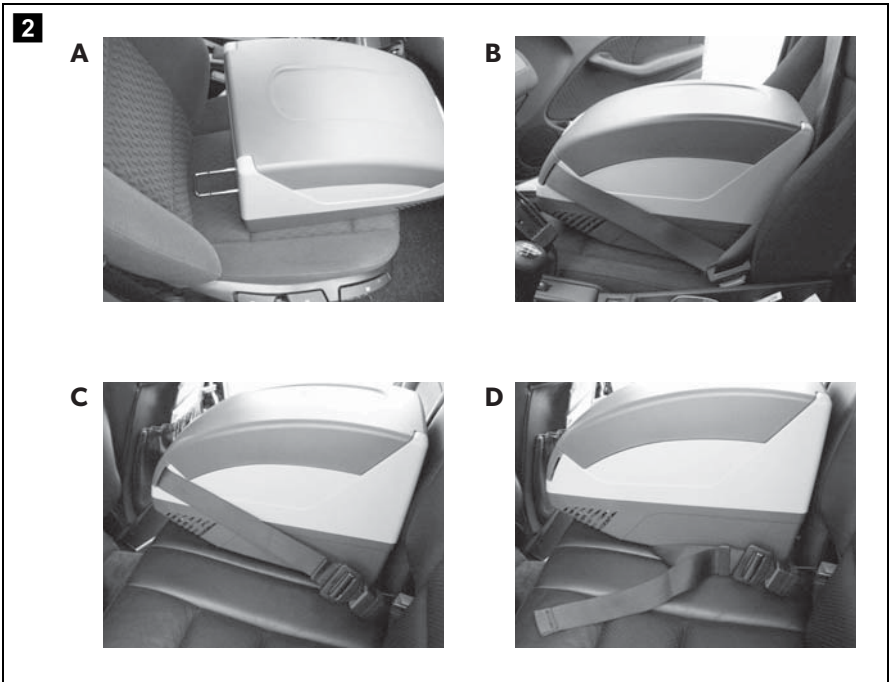
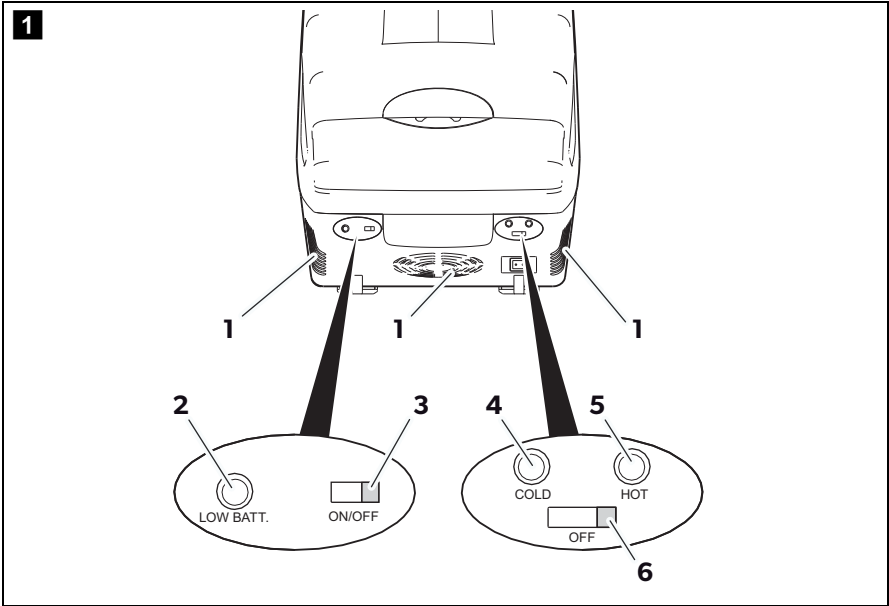
MOBILE COOLING

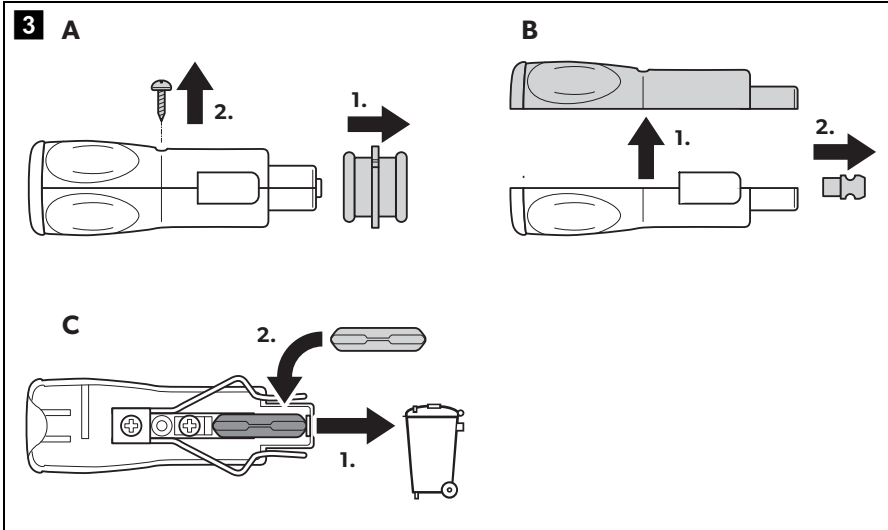
TROPICOOOL



TB15

- | | | | |
|-----------|--|-----------|--|
| EN | Thermoelectric cooler
Installation and Operating Manual 5 | SV | Termoelektrisk kylbox
Monterings- och bruksanvisning 84 |
| DE | Thermoelektrische Kühlbox
Montage- und Bedienungsanleitung 14 | NO | Termoelektrisk kjøleboks
Monterings- og bruksanvisning 93 |
| FR | Glacière thermoélectrique
Instructions de montage
et de service 24 | FI | Sähkökäyttöinen kylmälaukku
Asennus- ja käyttöohje 102 |
| ES | Nevera termoeléctrica
Instrucciones de montaje y de uso 34 | RU | Термоэлектрический
холодильник
Инструкция по монтажу и эксплуатации . 111 |
| PT | Geleira termoeléctrica
Instruções de montagem e manual de
instruções 44 | PL | Przenośna lodówka
termoelektryczna
Instrukcja montażu i obsługi 121 |
| IT | Frigorifero termoelettrico
Istruzioni di montaggio e d'uso 54 | SK | Termoelektrický chladiaci box
Návod na montáž a uvedenie
do prevádzky 131 |
| NL | Thermo-elektrische koelbox
Montagehandleiding en
gebruiksaanwijzing 64 | CS | Termoelektrický chladicí box
Návod k montáži a obsluze 141 |
| DA | Termoelektrisk køleboks
Monterings- og betjeningsvejledning 74 | HU | Termoelektromos hűtőkészülék
Szerelési és használati útmutató 151 |





Please read this manual carefully before starting the device. Keep it in a safe place for future reference. If the device is passed on to another person, this manual must be handed over to the user along with it.

The manufacturer cannot be held liable for damage resulting from **improper usage** or **incorrect operation**.

Contents

1	Explanation of symbols	5
2	Safety instructions	6
3	Scope of delivery	8
4	Accessories	8
5	Intended use	9
6	Technical description	9
7	Operation	10
8	Cleaning and maintenance	11
9	Guarantee	12
10	Troubleshooting	12
11	Disposal	13
12	Technical data	13

1 Explanation of symbols



WARNING!

Safety instruction: Indicates a hazardous situation that, if not avoided, could result in death or serious injury.



CAUTION!

Safety instruction: Indicates a hazardous situation that, if not avoided, could result in minor or moderate injury.

**NOTICE!**

Indicates a situation that, if not avoided, can result in property damage.

**NOTE**

Supplementary information for operating the product.

2 Safety instructions

2.1 General safety



WARNING! Failure to obey these warnings could result in death or serious injury.

Electrocution hazard

- Do not operate the cooling device if it is visibly damaged.
- If this cooling device's power cable is damaged, it must be replaced by the manufacturer, customer service or a similarly qualified person in order to prevent safety hazards.
- This cooling device may only be repaired by qualified personnel. Improper repairs can lead to considerable hazards.

Health hazard

- This device can be used by children aged from 8 years and above and persons with reduced physical, sensory or mental capabilities or lack of experience and knowledge if they have been given supervision or instruction concerning use of the device in a safe way and understand the hazards involved.
- Children shall not play with the device.
- Cleaning and user maintenance shall not be made by children without supervision.
- Children aged from 3 to 8 years are allowed to load and unload cooling devices.

Explosion hazard

- Do not store any explosive substances such as spray cans with a flammable propellant in the cooling device.



CAUTION! Failure to obey these cautions could result in minor or moderate injury.

Electrocution hazard

- Disconnect the cooling device from the power supply
 - before each cleaning and maintenance
 - after every use

Health hazard

- Food may only be stored in its original packaging or in suitable containers.



NOTICE! Damage hazard

- Check that the voltage specification on the type plate corresponds to that of the energy supply.
- Only connect the cooling device to a DC power supply in the vehicle with the DC cable.
- Never pull the plug out of the socket by the cable.
- Disconnect the cooling device and other power consuming devices from the battery before connecting a quick charging device.
- Disconnect the cooling device or switch it off when you turn off the engine. Otherwise you may discharge the battery.
- The cooling device is not suitable for transporting caustic materials or materials containing solvents.

2.2 Operating the cooling device safely



CAUTION! Failure to obey these cautions could result in minor or moderate injury.

Electrocution hazard

- Before starting the cooling device, ensure that the power supply line and the plug are dry.

Health hazard

- Opening the door for long periods can cause significant increase of the temperature in the compartments of the device.
- Clean regularly surfaces that can come in contact with food and accessible drainage systems.
- Store raw meat and fish in suitable containers in the device, so that it is not in contact with or drip onto other food.

- If the device is left empty for long periods:
 - Switch off the device.
 - Defrost the device.
 - Clean and dry the device.
 - Leave the door open to prevent mould developing within the device.



NOTICE! Damage hazard

- Do not use electrical devices inside the cooling device unless they are recommended by the manufacturer for the purpose.
- Do not place the cooling device near naked flames or other heat sources (heaters, direct sunlight, gas ovens etc.).
- **Risk of overheating!**
Ensure at all times that there is a minimum of 50 mm ventilation on all four sides of the cooling device. Keep the ventilation area free of any objects that could restrict the air flow to the cooling components. Do not place the cooling device in closed compartments or areas with none or minimal air flow.
- Ensure that the ventilation openings are not covered.
- Do not fill the inner container with ice or fluids.
- Never immerse the cooling device in water.
- Protect the cooling device and cables against heat and moisture.

3 Scope of delivery

- BordBar TB15 cooler
- Cable for 12V \equiv connection

4 Accessories

To operate the device using an AC power supply, we recommend using the following mains rectifier.

Available as accessories (not included in the scope of delivery)

- 220 – 240 V \sim : CoolPower EPS817

5 Intended use

The cooler is portable. It can chill products as well as keep them cool or warm.

The device is designed for use with a 12 V $\overline{=}$ on-board supply of a car (cigarette lighter), boat or caravan.

The cooling device is suitable for camping use.

The device shall not to be exposed to rain.



CAUTION! Health hazard!

Please check if the cooling capacity of the device is suitable for storing the food or medicine you wish to cool.

6 Technical description

The cooler can chill products to a maximum of 20 °C below the ambient temperature as well as cool or keep them warm up to a maximum of 65 °C.

An integrated battery monitor can be switched on to protect your vehicle battery against excessive discharging.

Control elements

No. in fig. 1, page 3	Description
1	Ventilation grilles
2	LED LOW BATT flashes when the battery monitor has switched off the device due to low voltage lights up when the battery monitor is switched on and the device is operating
3	Slide switch for the battery monitor ON: Battery monitor is switched on OFF: Battery monitor is switched off
4	LED COLD lights up green when the device is cooling

No. in fig. 1 , page 3	Description
5	LED HOT lights up red when the device is warming
6	Slide switch for the operating mode COLD: The device is cooling OFF: The device is switched off HOT: The device is warming

7 Operation



WARNING! Fire hazard!

- When positioning the device, ensure the supply cord is not trapped or damaged.
- Do not locate multiple portable socket-outlets or portable power supplies at the rear of the device.



NOTICE!

- Ensure that the objects placed in the cooler are suitable for cooling to the selected temperature.
- Ensure that food or liquids in glass containers are not excessively refrigerated. Liquids expand when they freeze and can therefore destroy glass containers



NOTE

Before starting your new cooling device for the first time, you should clean it inside and outside with a damp cloth for hygienic reasons (please also refer to the chapter “Cleaning and maintenance” on page 11).

Fastening the device on the seat

- Pull out the fastening rail on the rear of the device until it clicks (fig. **2** A, page 3).
- Place the device on a seat (passenger seat or the middle seat in the back).
- Push the device back against the backrest so that the fastening rail is inserted between the seat surface and backrest.

- ▶ Thread the seat belt into one of the belt holders and fasten the device:
 - front belt holder (fig. **2** B or C, page 3)
 - bottom belt holder (fig. **2** D, page 3)

**NOTE**

Press the release button on the bottom of the device to insert the fastening rail.

Switching the device on and off

- ▶ Plug the 12 V connection cable into the cigarette lighter socket or a 12 V socket in the vehicle.
- ▶ Push the slide switch into the required position.
- ✓ The cooler is switched on and starts cooling or heating the interior.
- ✓ The respective LED lights up.
- ▶ When you want to switch off the cooler, disconnect the plug.

Using the battery monitor

- ▶ Switch on the battery monitor if you are operating the device with a 12 V on-board supply.
- ▶ Switch off the battery monitor if you are operating the device with a mains rectifier (accessory) using an AC power supply.

8 Cleaning and maintenance

**WARNING! Electrocutation hazard**

Always disconnect the device from the power supply before you clean and service it.

**NOTICE! Risk of damage**

- Never clean the cooler under running water or in dish water.
- Do not use abrasive cleaning agents or hard objects during cleaning as these can damage the cooler.

- ▶ Occasionally clean the device interior and exterior with a damp cloth.
- ▶ Make sure that the air inlet and outlet vents on the device are free of any dust and dirt, so that heat can be released and the device is not damaged.

9 Guarantee

The statutory warranty period applies. If the product is defective, please contact the manufacturer's branch in your country (see the back of the instruction manual for the addresses) or your retailer.

For repair and warranty processing, please include the following documents when you send in the device:

- A copy of the receipt with purchasing date
- A reason for the claim or description of the fault

10 Troubleshooting

Fault	Possible cause	Suggested remedy
Your cooler does not work (plug is inserted).	There is no voltage flowing from the 12 V socket in your vehicle.	The ignition must be switched on in most vehicles for voltage to flow at the cigarette lighter.
The cooler does not cool (plug is inserted).	The inner fan or the cooling element is defective.	This can only be repaired by an authorised customer services unit.
Operation with a 12 V socket: The ignition is on and the cooler is not working.	The cigarette lighter socket is dirty. This results in a poor electrical contact.	If the plug of your cooler becomes very warm in the cigarette lighter socket, either the socket must be cleaned or the plug has not been assembled correctly.
	The fuse of the 12 V plug has blown.	Replace the fuse (5 A) in the 12 V plug (fig. 3 , page 4).
	The vehicle fuse has blown.	Replace the vehicle's 12 V socket fuse (usually 15 A). (Please refer to the operating manual of your vehicle.)

11 Disposal

- Place the packaging material in the appropriate recycling waste bins wherever possible.



If you wish to finally dispose of the product, ask your local recycling centre or specialist dealer for details about how to do this in accordance with the applicable disposal regulations.

12 Technical data

	BordBar TB15
Ref. no.:	9600000489
Connection voltage:	12 V $\overline{=}$
Power consumption:	40 W
Battery monitor	
Cut-off voltage:	11.7 V
Cut-in voltage:	13.1 V
Cooling capacity:	max. 20 °C below ambient temperature
Heating capacity:	65 °C (interior temperature)
Gross capacity:	15 l
Climate class:	N, T
Weight:	5.2 kg
Testing/certification:	