

↔ DOMETIC

MOBILE COOLING

TROPICOOOL



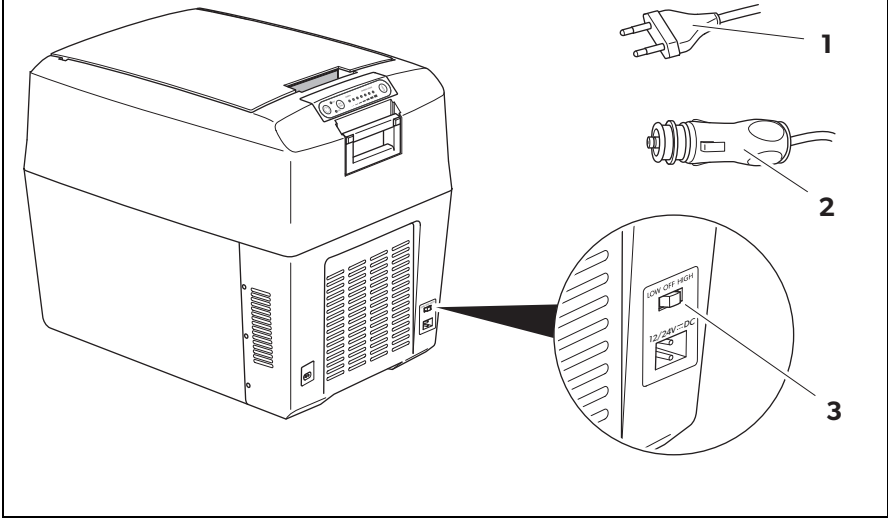
TCX07, TCX14, TCX21, TCX35

EN	Thermoelectric cooler Operating manual	NO	Termoelektrisk kjøleboks Bruksanvisning
DE	Thermoelektrische Kühlbox Bedienungsanleitung	FI	Sähkökäyttöinen kylmälaaukku Käyttöohje
FR	Glacière thermoélectrique Notice d'utilisation	RU	Термоэлектрический холодильник Инструкция по эксплуатации
ES	Nevera termoeléctrica Instrucciones de uso	PL	Przenośna lodówka termoelektryczna Instrukcja obsługi
PT	Geleira termoeléctrica Manual de instruções	SK	Termoelektrický chladiaci box Návod na obsluhu
IT	Frigorifero termoelettrico Istruzioni per l'uso	CS	Termoelektrický chladicí box Návod k obsluze
NL	Thermo-elektrische koelbox Gebruiksaanwijzing	HU	Termoelektromos hűtőkészülék Használati utasítás
DA	Termoelektrisk køleboks Betjeningsvejledning		
SV	Termoelektrisk kylbox Bruksanvisning		

© 2020 Dometic Group. The visual appearance of the contents of this manual is protected by copyright and design law. The underlying technical design and the products contained herein may be protected by design, patent or be patent pending. The trademarks mentioned in this manual belong to Dometic Sweden AB. All rights are reserved.

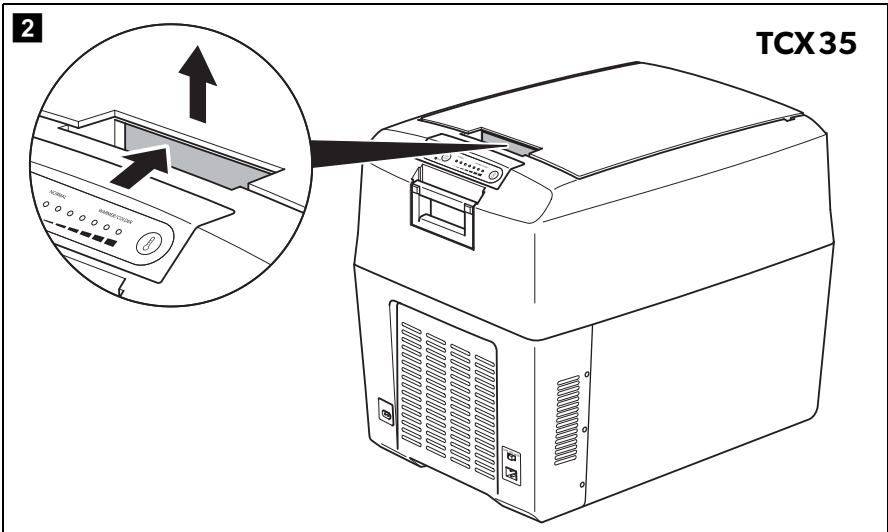
1

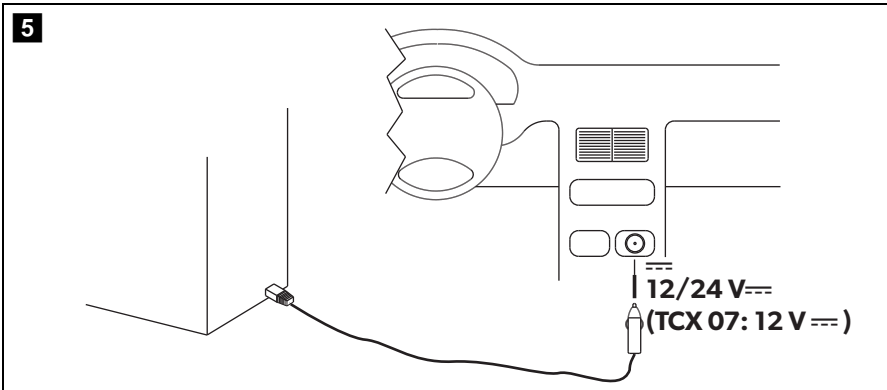
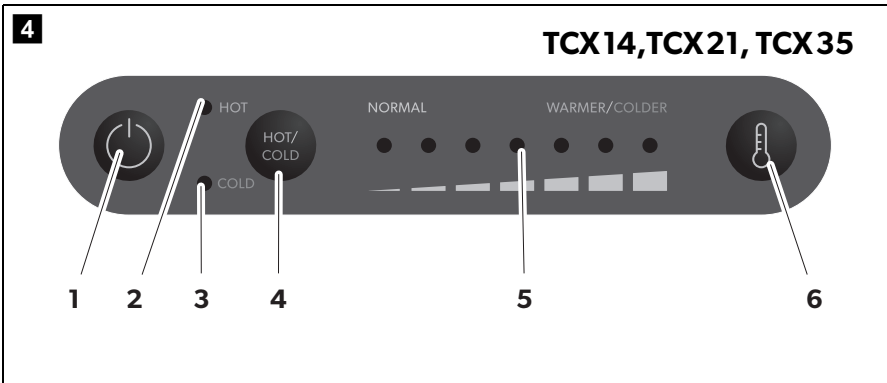
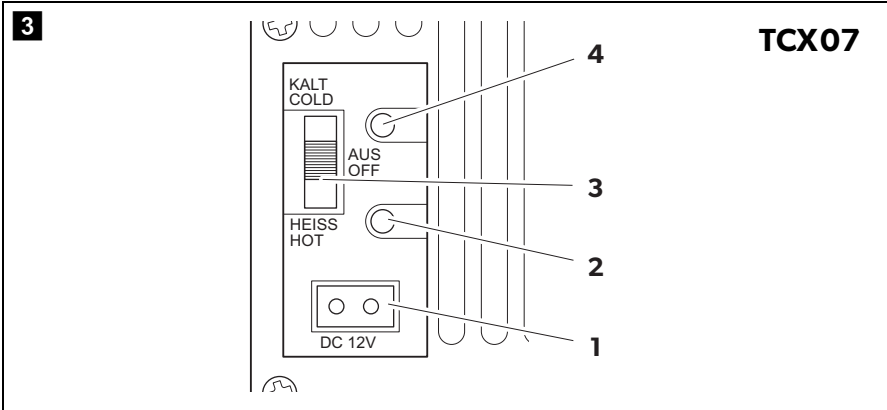
TCX14, TCX21, TCX35

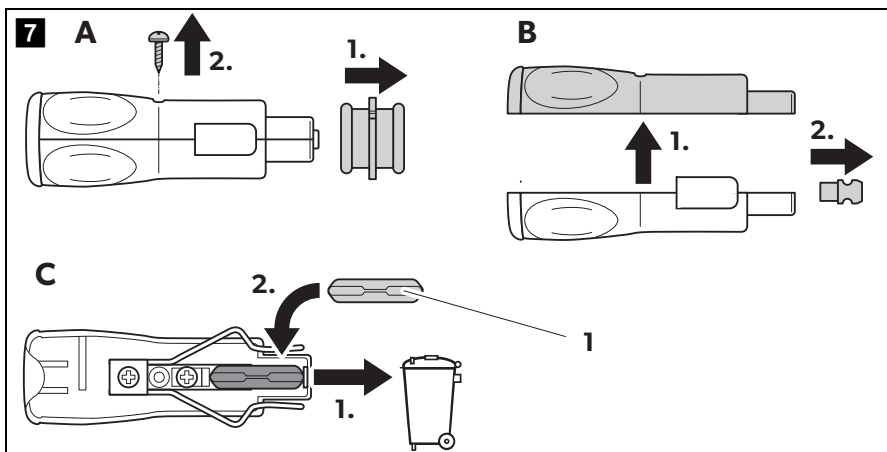
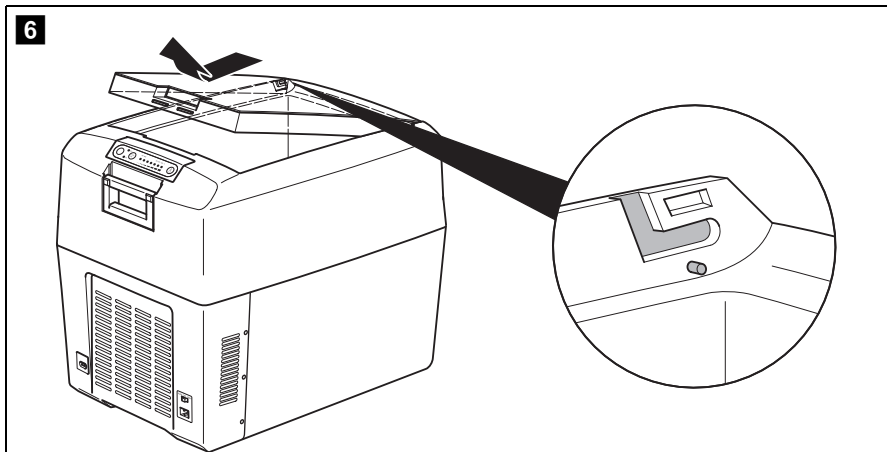


2

TCX35

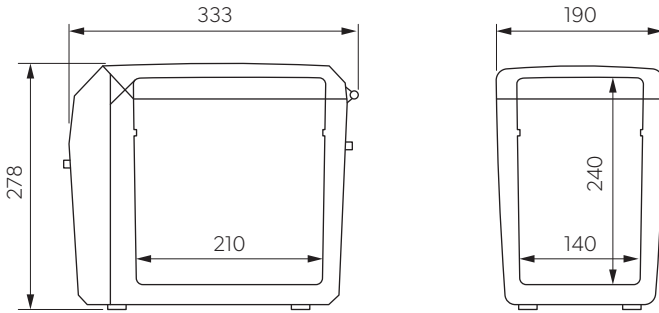






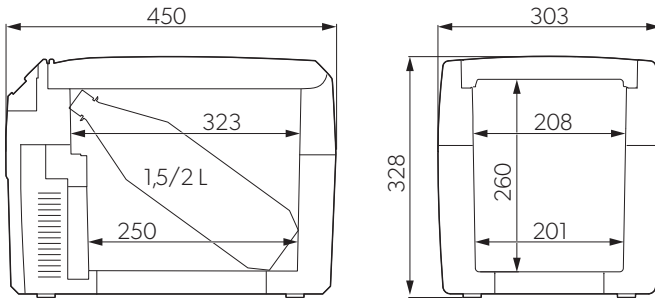
8

TCX07



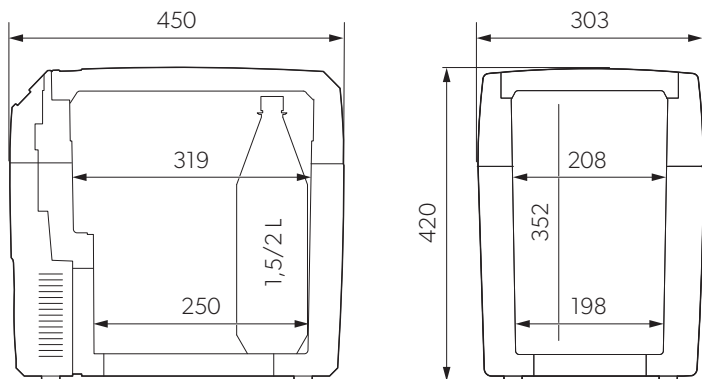
9

TCX14



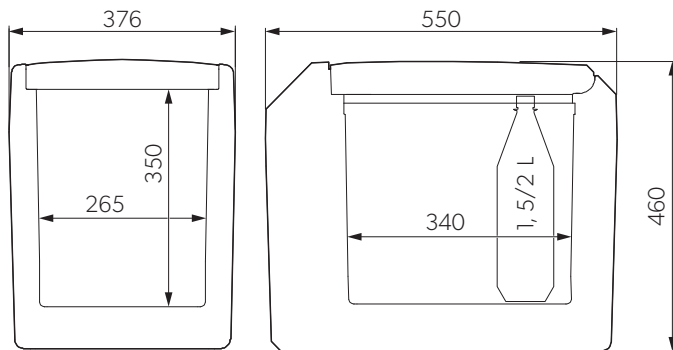
10

TCX 21



11

TCX 35



Please read these instructions carefully and follow all instructions, guidelines, and warnings included in this product manual in order to ensure that you install, use, and maintain the product properly at all times. These instructions **MUST** stay with this product.

By using the product, you hereby confirm that you have read all instructions, guidelines, and warnings carefully and that you understand and agree to abide by the terms and conditions as set forth herein. You agree to use this product only for the intended purpose and application and in accordance with the instructions, guidelines, and warnings as set forth in this product manual as well as in accordance with all applicable laws and regulations. A failure to read and follow the instructions and warnings set forth herein may result in an injury to yourself and others, damage to your product or damage to other property in the vicinity. This product manual, including the instructions, guidelines, and warnings, and related documentation, may be subject to changes and updates. For up-to-date product information, please visit www.dometic.com.

Table of contents

- 1 Explanation of symbols 8
- 2 Safety notes 9
- 3 Scope of delivery 11
- 4 Intended use 11
- 5 Technical description 12
- 6 Operation 13
- 7 Cleaning and servicing 17
- 8 Disposal 17
- 9 Troubleshooting 18
- 10 Technical data 19

1 Explanation of symbols



WARNING!

Safety instruction: Indicates a hazardous situation that, if not avoided, could result in death or serious injury.



CAUTION!

Safety instruction: Indicates a hazardous situation that, if not avoided, could result in minor or moderate injury.



NOTICE!

Indicates a situation that, if not avoided, can result in property damage.

**NOTE**

Supplementary information for operating the product.

2 Safety notes



WARNING! Failure to obey these warnings could result in death or serious injury.

Electrocution hazard

- Do not operate the cooling device if it is visibly damaged.
- If this cooling device's power cable is damaged, it must be replaced to prevent safety hazards.
- This cooling device may only be repaired by qualified personnel. Improper repairs can lead to considerable hazards.

Fire hazard

- When positioning the device, ensure the supply cord is not trapped or damaged.
- Do not locate multiple portable socket-outlets or portable power supplies at the rear of the device.

Health hazard

- This device can be used by children aged from 8 years and above and persons with reduced physical, sensory or mental capabilities or lack of experience and knowledge if they have been given supervision or instruction concerning use of the device in a safe way and understand the hazards involved.
- Children shall not play with the device.
- Cleaning and user maintenance shall not be made by children without supervision.
- Children aged from 3 to 8 years are allowed to load and unload cooling devices.

Explosion hazard

- Do not store any explosive substances such as spray cans with a flammable propellant in the cooling device.



CAUTION! Failure to obey these cautions could result in minor or moderate injury.

Electrocution hazard

- Before starting the cooling device, ensure that the power supply line and the plug are dry.
- Disconnect the cooling device from the power supply
 - before each cleaning and maintenance
 - after every use

Health hazard

- Please check if the cooling capacity of the device is suitable for storing the food or medicine you wish to cool.
- Food may only be stored in its original packaging or in suitable containers.
- Opening the cooling device for long periods can cause significant increase of the temperature in the compartments of the device.
- Clean regularly surfaces that can come in contact with food and accessible drainage systems.
- If the device is left empty for long periods:
 - Switch off the device.
 - Defrost the device.
 - Clean and dry the device.
 - Leave the lid open to prevent mould developing within the device.



NOTICE! Damage hazard

- Check that the voltage specification on the type plate corresponds to that of the energy supply.
- Only connect the cooling device as follows:
 - With the DC connection cable to a DC power supply in the vehicle
 - Or with the AC connection cable to an AC power supply
- Never pull the plug out of the socket by the cable.
- If the cooling device is connected to a DC outlet: Disconnect the cooling device and other power consuming devices from the battery before connecting a quick charging device.
- If the cooling device is connected to a DC outlet: Disconnect the cooling device or switch it off when you turn off the engine. Otherwise you may discharge the battery.
- The cooling device is not suitable for transporting caustic materials or materials containing solvents.

- Do not use electrical devices inside the cooling device unless they are recommended by the manufacturer for the purpose.
- Do not place the cooling device near naked flames or other heat sources (heaters, direct sunlight, gas ovens etc.).
- **Risk of overheating!**
Ensure at all times that there is a minimum of 50 mm ventilation on all four sides of the cooling device. Keep the ventilation area free of any objects that could restrict the air flow to the cooling components. Do not place the cooling device in closed compartments or areas with none or minimal air flow.
- Ensure that the ventilation openings are not covered.
- Do not fill the inner container with ice or fluids.
- Never immerse the cooling device in water.
- Protect the cooling device and cables against heat and moisture.
- The device shall not to be exposed to rain.

3 Scope of delivery

Quantity	Description
1	Mobile thermoelectric cooler
1	Connection cable for AC connection
1	Connection cable for DC connection
1	Power adapter for AC connection (TCX07 only)
1	Instruction manual

Check before starting up the device that all parts are available belonging to the scope of delivery.

4 Intended use

The cooling box is suitable for cooling food. The cooling box is also suitable for use on vehicles. The cooling box is designed to be operated from a DC power supply socket of a vehicle or from an AC power supply.

The cooling box is suitable for camping use.

The cooling box is not suitable for:

- storage of corrosive, caustic or solvent-containing substances
- freezing of food

This cooling box is not intended to be used as a built-in appliance.

This cooling box is only suitable for the intended purpose and application in accordance with these instructions.

This manual provides information that is necessary for proper installation and/or operation of the cooling box. Poor installation and/or improper operating or maintenance will result in unsatisfactory performance and a possible failure.

The manufacturer accepts no liability for any injury or damage to the product resulting from:

- Incorrect assembly or connection, including excess voltage
- Incorrect maintenance or use of spare parts other than original spare parts provided by the manufacturer
- Alterations to the product without express permission from the manufacturer
- Use for purposes other than those described in this manual

Dometic reserves the right to change product appearance and product specifications.

5 Technical description

The cooling device is suitable for mobile use. It can cool goods up to max. 27 °C (TCX07: 25 °C) under ambient temperature (thermostatic switch-off at approx. 2 °C) or keep them warm up to max. 65 °C.

The cooling device is a low-wear thermo-electric cooler with fan-assisted heat removal.

TCX14, TCX21, TCX35

If the device has reached the set temperature range, it will automatically switch over to the energy save mode. In this mode only the energy which is required to reach the temperature inside the box is consumed.

The cooling device is equipped with an automatic priority circuit. Thus it is ensured that with simultaneous connection to the AC mains supply and to a 12/24 V battery, the AC mains supply will be used.

6 Operation

**NOTICE!**

Take care that there are only objects or goods in the cooling device which may be cooled or heated to the selected temperature.

**NOTE**

Before you put the new cooling device into operation, you should clean it inside and outside with a damp cloth for hygienic reasons (see also chapter "Cleaning and servicing" on page 17).

To avoid food waste, note the following:

- Keep temperature fluctuation as low as possible. Only open the cooling box as often and for as long as necessary. Store the foodstuff in such a way that the air can still circulate well.
- Adjust the temperature to the quantity and type of the foodstuff.
- Foodstuff can easily absorb or release odor or taste. Always store foodstuff covered or in closed containers/bottles.

6.1 Tips to save energy

- Choose a well ventilated location which is protected from direct sunlight.
- If you want to set an increased energy efficiency and a limited cooling capacity for the cooler device, use the device's ECO mode (TCX14, TCX21, TCX35).
- Allow warm food to cool down first before placing it in the cooling device to keep cool.
- Do not open the cooling device more often than necessary.
- Do not leave the cooling device open for longer than necessary.

6.2 Connecting to vehicle power

**NOTE**

If you connect the cooling device to the vehicle power, remember that you may have to turn on the ignition to supply it with power.

For safety reasons the cooler is equipped with an electronic system to prevent polarity reversal. This protects the cooler against short-circuiting when connecting to a battery.

6.3 Opening the cooler

- ▶ **TCX35 only:** Unlock the cooling device (fig. **2**, page 3).
- ▶ Open the cooling device.

6.4 Connecting the cooling box to 230 V~

TCX07

- ▶ Connect the AC cable to the power adapter.
- ▶ Plug the other end of the AC cable into the socket (AC main side).
- ▶ Connect one end of the DC cable to the power adapter.
- ▶ Connect the other end of the DC cable to the socket at the cooling box.

TCX14, TCX21, TCX35

- ▶ Connect the cooling device using the AC connection cable supplied (fig. **1** 1, page 4) to an AC mains power socket.

6.5 Connecting the cooling box to 12 V==



NOTE

The plug's polarity cannot be reversed: it can only be inserted into the socket in one direction.

TCX07

- ▶ Plug one end of the 12 V connection cable into the socket of the cool box.
- ▶ Connect the other end of the 12 V connection cable to the DC socket in your vehicle (fig. **5**, page 4).

TCX14, TCX21, TCX35

- ▶ Connect the cooling device using the DC connection cable supplied (fig. **1** 2, page 3) to the DC socket in the vehicle (fig. **5**, page 4).

6.6 Switching on the cooling box

TCX07

- ▶ Place the cooling box on a firm base.
- ▶ Push the switch on the operating panel (fig. **3** 3, page 4) into the "HOT" position or the "COLD" position to switch the coolbox on.
- ✓ The cooling box starts cooling/heating the interior:

Operating display	Operating mode
Red (fig. 3 2, page 4)	Heating
Green (fig. 3 4, page 4)	Cooling

TCX14, TCX21, TCX35

- ▶ Place the cooling device on a firm base.
- ▶ Press the button "⏻" on the control panel to switch on the cooling device.
- ✓ The cooling device starts to cool or heat the interior space.

Operating display	Operating mode
red (fig. 4 2, page 4)	heating
blue (fig. 4 3, page 4)	cooling

6.7 Switching between cooling and heating

TCX07

- ▶ If you wish to switch between **cooling** and **heating**, push the switch on the operating panel (fig. **3** 3, page 4) into the "HOT" or "COLD" position.
- ✓ The red or green operating display lights up and the device begins cooling/heating.
- ▶ If you wish to end the cooling/heating process, push the switch on the operating panel (fig. **3** 3, page 4) into the "AUS/OFF" position.
- ▶ If you wish to switch off the device, pull out the connecting cable.

TCX14, TCX21, TCX35

- ▶ If you wish to switch between **cooling** and **heating**, press the button "HOT/COLD".

**NOTE**

The control unit of the cooling device has a memory function. It memorises the selected temperature range for each mode (cooling and heating). Thus the temperature range which was previously selected in the respective mode is set again with each switching on or switching over.

- ✓ The red or blue operating display lights up and the device starts to cool/heat.
- ▶ When you want to finish the cooling or heating process, press the button “⏻”.
- ▶ When you stop using the cooling device, disconnect it from the mains.

6.8 Selecting the temperature (TCX14, TCX21, TCX35)

The set temperature status display (fig. 4 5, page 4) indicates the selected temperature. With an increasing number of illuminated LEDs, the cooling or heating intensity also increases.

**NOTE**

The following temperature indications are subject to tolerances and are dependent on the measuring position.

Temperature at interior space center at approx. 25 °C ambient temperature:

	Status display (fig. 4 5, page 4)	Interior temperature
Cooling	7 illuminated LEDs	approx 1 °C (TCX14) approx 3 °C (TCX21, TCX35)
	1 illuminated LED	approx 17 °C (ECO mode)
Heating	7 illuminated LEDs	approx 65 °C
	1 illuminated LED	approx 48 °C

- ▶ To select the **cool** or **heat** temperature, press the “🌡️” button repeatedly until the desired number of LEDs are illuminated.

6.9 Removing the lid (TCX14, TCX21, TCX35)

You can remove the lid of the cooling device (fig. 6, page 5):

- ▶ Open the lid until it is at an approx. 30° angle to the cooler.

- ▶ Pull the lid forwards and lift it off diagonally.

7 Cleaning and servicing



NOTICE! Damage hazard

- Never clean the cooler under running water or in dish water.
- Do not use abrasive cleaning agents or hard objects during cleaning as these can damage the cooler.

- ▶ Occasionally clean the device interior and exterior with a damp cloth.
- ▶ Make sure that the air inlet and outlet vents on the device are free of any dust and dirt, so that heat can be released and the device is not damaged.

8 Disposal

- ▶ Place the packaging material in the appropriate recycling waste bins wherever possible.




If you wish to finally dispose of the product, ask your local recycling centre or specialist dealer for details about how to do this in accordance with the applicable disposal regulations.

9 Troubleshooting

Fault	Possible cause	Suggestion
The cooling device does not function and the fan impeller which is visible from outside does not rotate.	There is no voltage present in the DC power socket in your vehicle.	The ignition must be switched on in most vehicles to apply current to the DC power socket.
The ignition is switched on and the cooling device does not work.	The DC power socket is dirty. This results in a poor electrical contact.	Clean the socket of the DC power socket with a non-metallic brush and a solvent, so that the middle contact pin is clean. If the plug of your cooling device becomes very warm in the DC power socket, either the DC power socket must be cleaned or the plug has not been assembled correctly.
	The fuse of the connecting cable is burnt through.	Replace the fuse (fig. 7 1, page 5) of the DC plug with one of the same rating.
	The vehicle fuse is burnt through.	Replace the vehicle fuse of the DC power socket (usually 15 A). (Observe the operating instructions in your motorcar for this).
Your cooling device does not cool satisfactorily and the fan impeller at the outside does not rotate.	The ventilator motor is defective.	The repair can be executed only by an authorized customer service.
Your cooling device does not cool satisfactorily and the fan impeller at the outside rotates.	The ventilator motor for the inner ventilator is defective.	
	The thermo-electric element is defective.	
	The integrated power unit is defective.	

10 Technical data

	TCX07
Input voltage:	12 V== 230 V~ (with power adapter)
Power input:	38 W (12 V==) 43 W (230 V~)
Interior temperature range	
– Cooling:	max. 25 °C below ambient temperature
– Heating:	max. 65 °C
Climate class:	N
Ambient temperature:	+16 °C to +32 °C
Dimensions:	fig. 8 , page 6
Weight:	2.8 kg (without power adapter)
Inspection/Certificate:	

	TCX14	TCX21	TCX35
Input voltage:	12/24 V=== 220 – 240 V~		
Power input:	46 W (12 V===) 50 W (24 V===) 64 W (230 V~)		
Interior temperature range (7 to 1 LEDs) – Cooling:	1 °C to 17 °C	3 °C to 17 °C	
	(max. 27 °C below ambient temperature)		
Interior temperature range (7 to 1 LEDs) – Heating:	48 °C to 65 °C		
Climate class:	N		
Ambient temperature:	+16 °C to +32 °C		
Dimensions:	fig. 9 , page 6	fig. 10 , page 7	fig. 11 , page 7
Weight:	5.8 kg	7.3 kg	10.6 kg
Inspection/Certificate:	